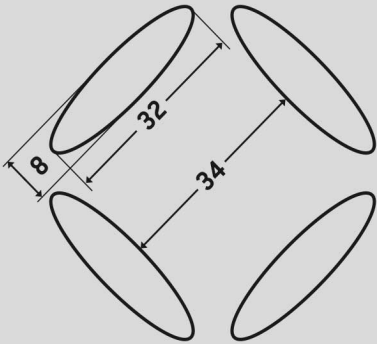
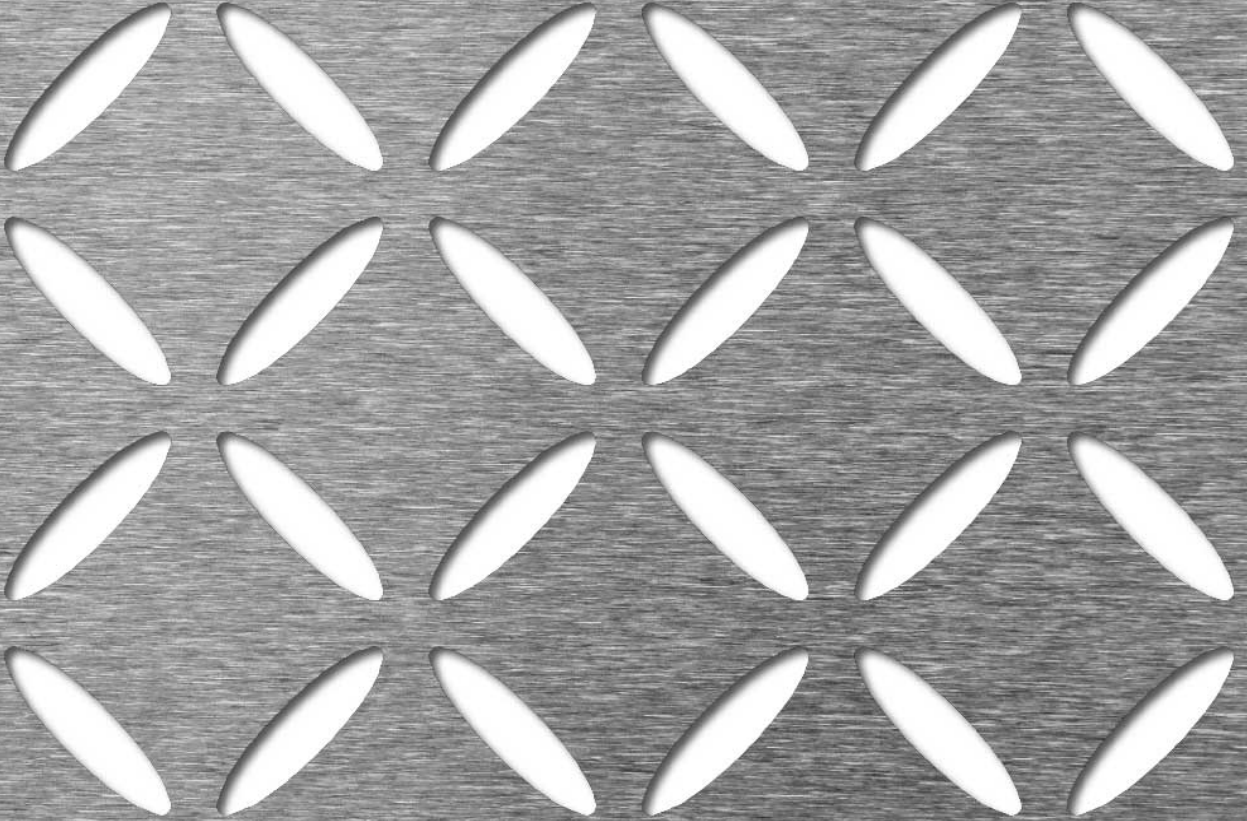


Perforated

FLEUR



Designation	Material	Overall thick
Fleur 8x32	AISI 304	1.00
Fleur 8x32	Mild Steel	1.00
Fleur 8x32	St 02 Z	1.00