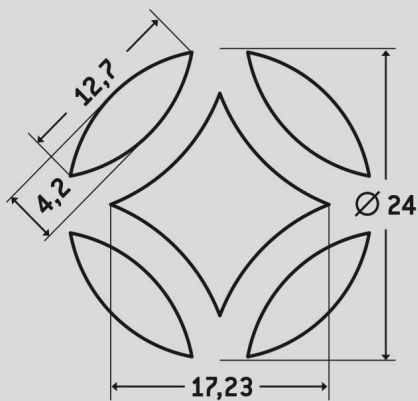
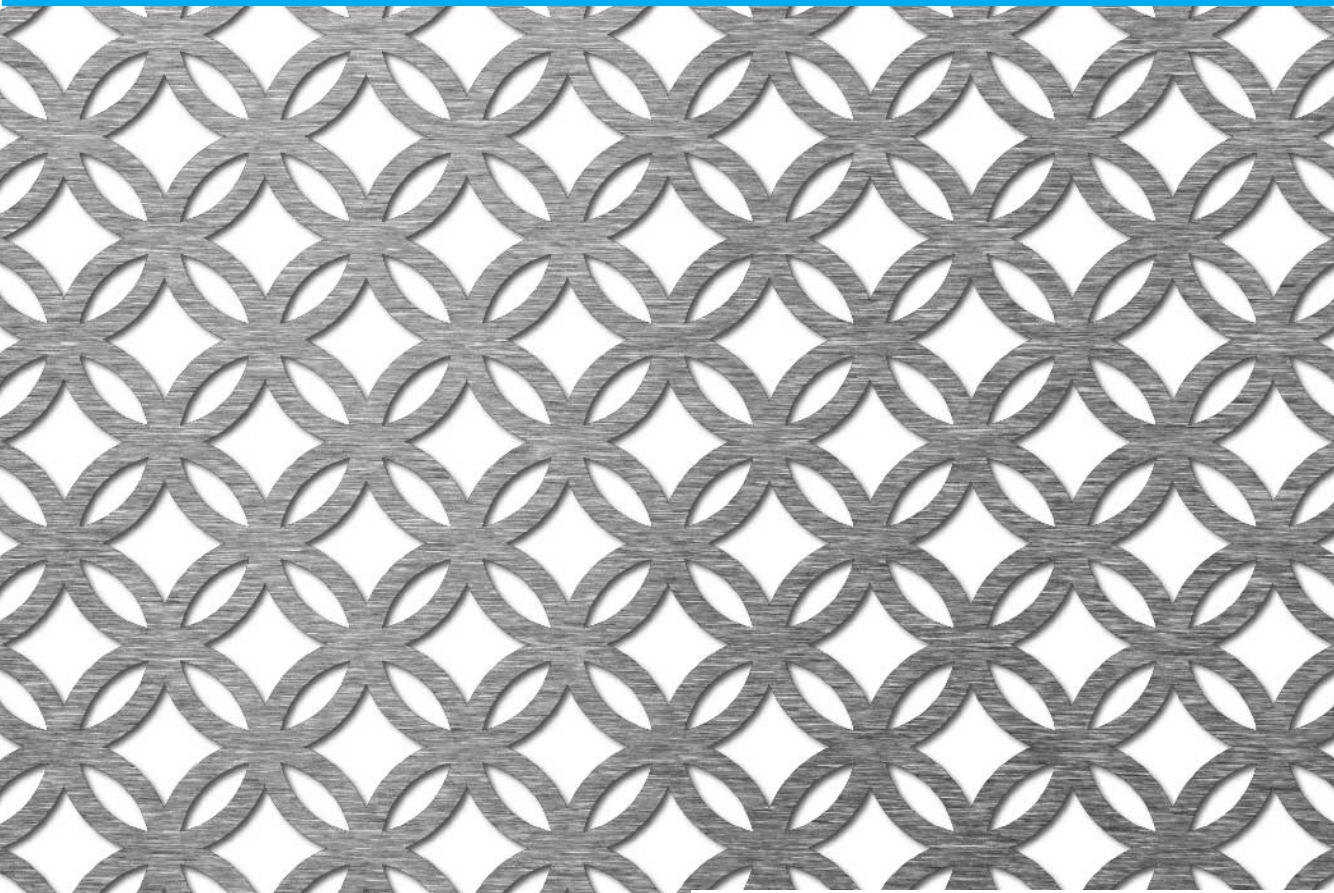






Perforated

ETERNITY



Item no.	Material	Overall thickness (mm)
504173 	AISI 304	1.00
504172 	St 02 Z	1.00
504171 	Mild Steel	1.00
504174 	Al 99,5 % hi	1.00